

# WZ30-25

BACKHOE LOADER



Hammers



4 in 1 Bucket



Snow Plough



Augers



## Description

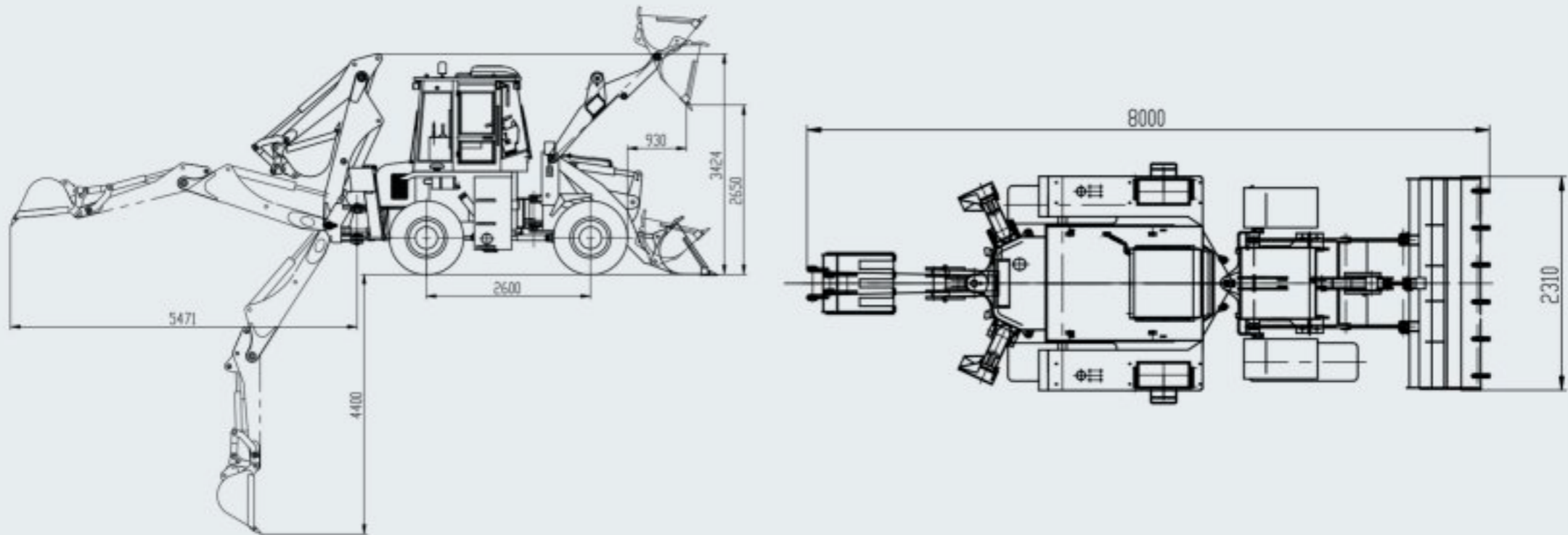
## Specification

Bucket capacity(heaped)	1.0m <sup>3</sup>
Digger capacity	0.3m <sup>3</sup>
Dumping clearance	2650mm
Dumping reach	930mm
Max.steering angle	±35°

 **BUY XCMG**

# BACKHOE LOADER WZ30-25

## BACKHOE LOADER



Description	Specifications	Unit
Bucket capacity(heaped)	1.0	m <sup>3</sup>
Digger capacity	0.3	m <sup>3</sup>
Dumping clearance	2650	mm
Dumping reach	930	mm
Max.steering angle	±35	°
Max.steering angle of dig working device	±85	°
Tracing speed I / II / III / IV	0-6.2 / 0-12 / 0-20 / 0-30	km/h
Back I / II speed	0-8 / 0-28.5	km/h
Diesel Model	YC4A110-T310/YC41390-T20	
Modality	4-stroke water-cooled inline type/4-stroke water-cooled inline type	
Rated power	73.5 (Turbocharged)/65	kW
Rated speed	2200	r/min
Wheel base	2600	mm
Tread	1700	mm
Tires	16/70-24	
Max.digging depth	4400	mm
Max.digging radius	5471	mm
Overall dimensions(L×W×H)	8000×2310×3424	mm
Operating weight	9500	kg

## Product Overview

The WZ30-25 is a new multi-function engineering machine which gathering the loading and excavating in the integral whole machine. It is the new generation model of the development based on the same kind product technique in domestic and international. Having adopted four wheel drive, hydraulic torque converter, hydraulic steering system, hydraulic. It is extensively used in the road maintenance, farm and developments, getting clay for making brick kiln, piping builds, the cable builds, park virescence and the excavating of the road opens to dig, broking up etc. This machine has below characteristics: The Yucai engine: low noise, low exhaust gas, low waste, green environmental protection, driving motive, good reliability. The spirit valve control take type brake system and parking brake system move two unite as one, when there is trouble in the gas brake system, it can make intime brake automatically, so it is more safety. Humanization designs: the hand handle layout reasonable, manipulating is portable; steer device, gauge dish and the chair all can be adjusted in up-down and front-back directions according to your sense, so it is comfortable. The back wheel bridge can swing up and down round the cancer, it make wheels has well cling, so the machine has good span and cross capability, optimized load work device: reasonable joint layout, dependable position limit function, lavelling bucket automatically in unload position, lacing optimized load work device: reasonable joint layout, dependable position limit function. Lavelling bucket automati-cally in unload position, lacing labor intensity, and the work range is larger, workfore is more study and steady, the work efficiency is higher. Special middle placed backhoe and wing-spread support leg. When the machine break up stones and do deeper dig work, it has stronger stability than other kind backhoe, of the craft brother the machine take the lead in using hydraulic scale forerunner valve control, manipulating is portable and orientation is exact, it may do multipul, work efficiency is high, plush and unitary cab is designed according ro person-machine's principle, widen view, sealed and quiver damped, air-condition is choice, comfor-able and safety operation enbirconment. Ten various machine tools may be choice to use, eg:hyraulic break up hammer, quiver rammer four, unit as one bucket tongs etc. The function is more comprehensive.